

# CRITERION<sup>®</sup> from Panefold<sup>®</sup>

## RIGID VINYL FOLDING DOORS

### INSTALLATION INSTRUCTIONS - READ CAREFULLY

Thank you for choosing Panefold<sup>®</sup> CRITERION<sup>®</sup> doors. You will appreciate all its distinctive features and quality, and will welcome the valuable floor space it returns to you... space that has been wasted by the swinging, bifold, or sliding doors it may have replaced. Panefold<sup>®</sup> CRITERION<sup>®</sup> doors are designed to help you enjoy all of your living space whether you use them at closets or doorways, to hide utility areas, or as room dividers.

CRITERION<sup>®</sup> doors are durable, washable, colorful and a "snap" to install. Please read these instructions before installing your new doors. A little extra care now will result in a professional appearance and a smooth operation.

Tools Required: Electric Drill, Phillips Head Screwdriver (bit), Hacksaw, and Flat Blade Screwdriver.

#### SECTION 1

##### Installation of Single Doors

Door track is pre-punched on 12"(305mm) centers for heights thru 8'-1"(3683mm) , Panhead sheet metal screws are furnished:  
No.10 x 1¼"

Should other screws or fasteners be used, the head size must be not larger than those furnished.



No.10 x 1¼"  
Pan Head Screw

#### STEP 1. Preparation

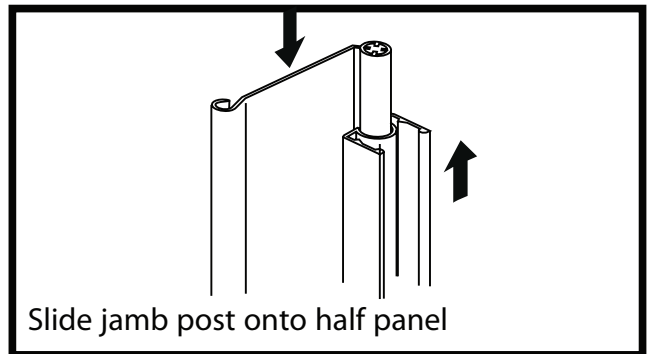
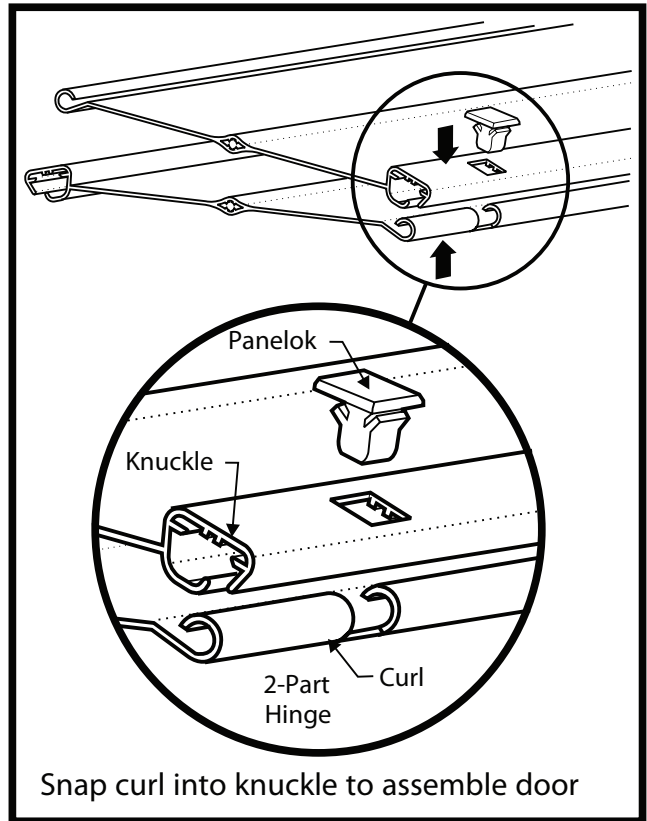
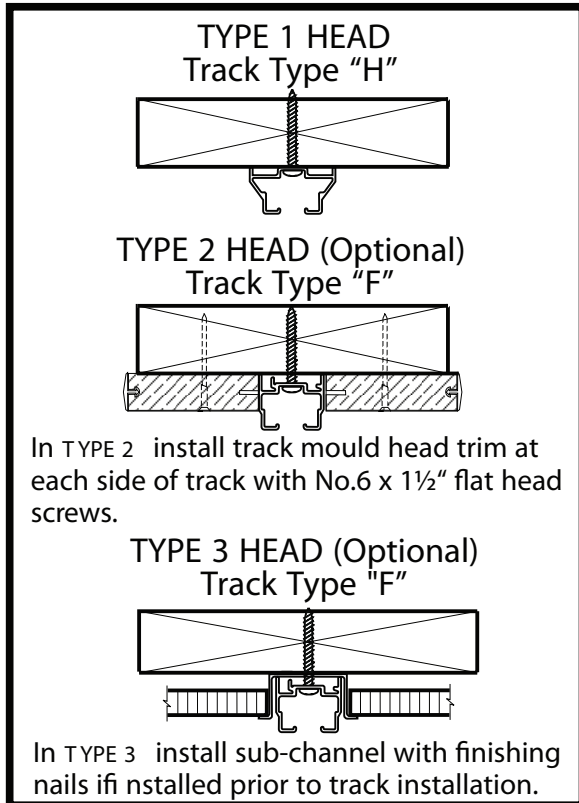
- A. FIT TRACK TO OPENING. If track is too long trim with hacksaw. If a pair of doors is used, an equal amount shall be cut from each track. Hold track in place. Mark screw locations. Set track aside and make starter holes for No.10 X 1¼" S.M. screws with small nail or 1/8" drill.



Prevent Shavings inside Track  
NEVER DRILL THRU TRACK

## STEP 1(Cont'd)

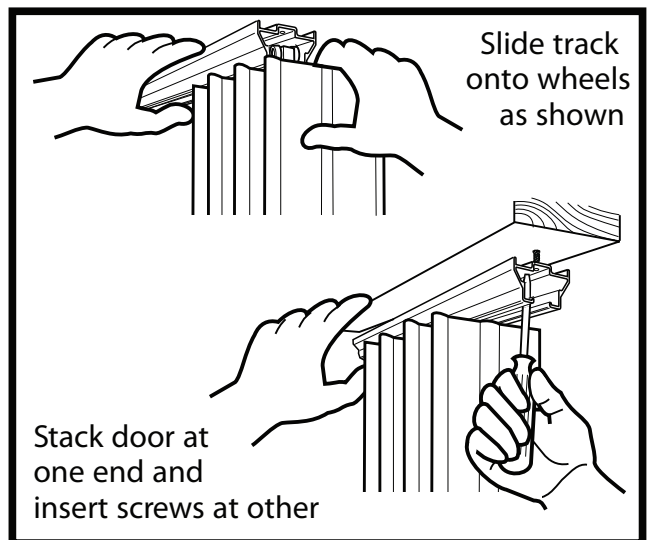
- B. DOOR INSPECTION. Inspect your CRITERION® door and track for possible damages that may have occurred during shipment.
- C. DOOR ASSEMBLY. Should any of the door panels become separated from one another, it is easy to snap them back together: With two (2) panels flat against each other, align panels. Starting at top, and working down, snap the curl of one panel into the knuckle of the other. With two (2) panels flat against each other, align panels. Starting at top, and working down, snap the curl of one panel into the knuckle of the other.



- D. FIXED JAMB ASSEMBLY. If your door is a fixed-jamb type you will find an end post at one end only. The jamb post at the opposite end has been shipped loose. Slide the jamb post onto the half panel before installing the door.

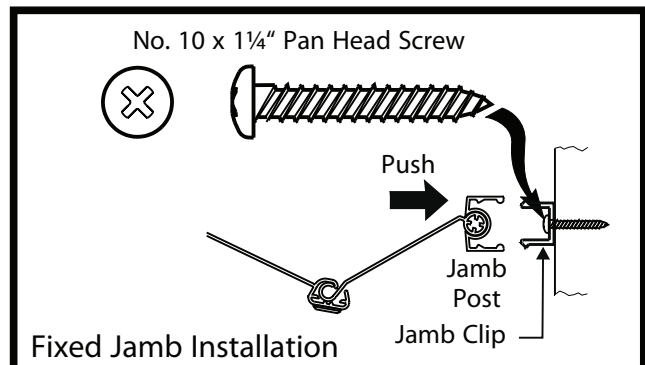
## STEP 2. Track & Door Installation

Clean out inside of track. Slide track onto wheels ( be sure all wheels are aligned with track so that they roll freely ) and lift door and track together into opening. Stack door at one end and begin inserting screws at other.



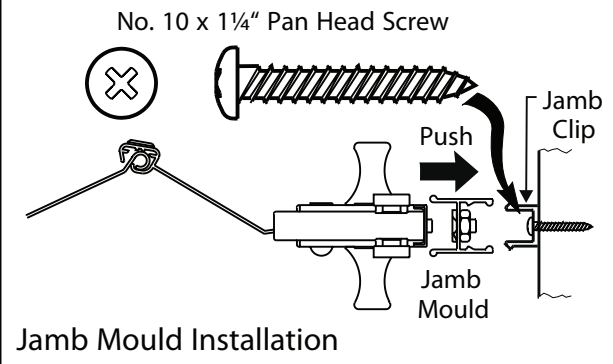
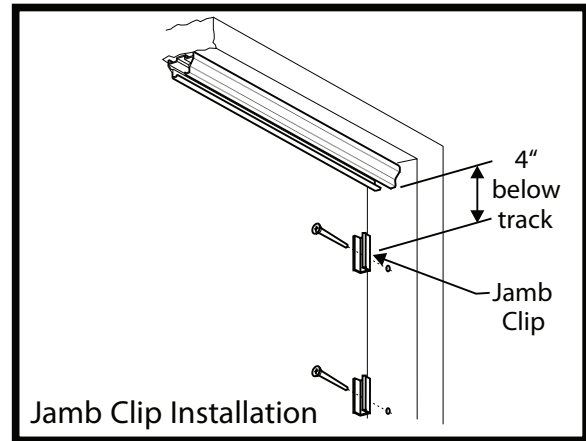
### STEP 3. Fixed Jamb Installation

- A. Starting at center of track, draw a plumb line down the jamb. Drill a 1/8" hole on this line 4" below track, another 4" above floor level and 3 more holes equally spaced between these. Use at least 5 jamb clips for 6'-8" high door.
- B. Screw U-shape jamb clips to the jamb (flat side of clip against jamb) using No.10 x 1 1/4" pan head screws. With firm finger pressure, snap jamb post tightly onto these jamb clips.



### STEP 4. Jamb Mould Installation

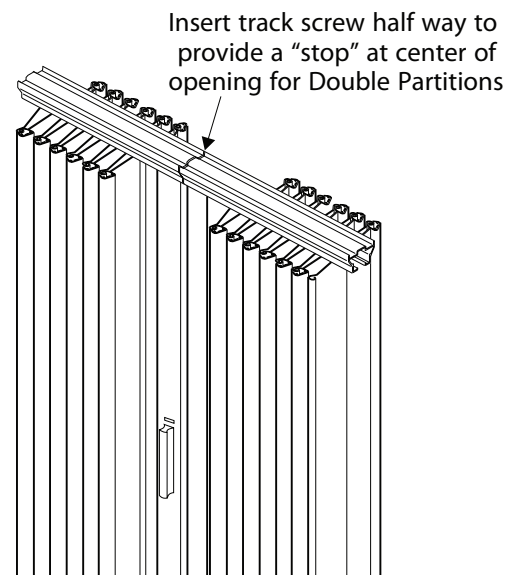
- A. Starting at center of track, draw a plumb line down the jamb. Drill a 1/8" hole on this line 4" below track, another 4" above floor level, another hole at latch height, a fourth hole midway between bottom hole and hole at latch height and a fifth hole midway between top hole and hole at latch height.
- B. Secure jamb clips with No.10 X 1 1/4" pan head screws and snap jamb mould onto clips as described in STEP 3 B .



## SECTION 2

### Installation of Double Doors

- A. Measure opening width and divide by (2). Cut each track section 1/8" (3mm) shorter than measurement. This leaves room for screw "stop" when track is installed.
- B. Follow STEP 1A and 1B, SECTION 1 , except placing both doors opposing each other directly under one half of opening.
- C. Thread first half of track onto wheels of both doors and begin installing track screws as in STEP 2, SECTION 1 . After securing all track screws in one half of track, install second half of track. Move second door to second half of track. Set a screw at track center joint and leave projecting 1/2" (13mm) to prevent wheels of either door from traveling past the joint.
- D. Follow jamb installation STEP 3 (or STEP 4 if Double End Post doors are used) , SECTION 1.



### SECTION 3 Snap-in, Snap Out

If your CRITERION® has the TrakLok™ system (optional), the door may be quickly removed from and replaced in the opening.

If you are using the TrakLok™ system, insert screws through large (3/8") holes and seat tightly against factory-installed track clips.

If TrakLok™ system is not used - or if your door is furnished with decorative track, then use small (1/4") holes to attach track directly to header.

To remove your CRITERION® door:

- Using a 1/4" flat screwdriver, turn the TrakLok™ a quarter turn.
- Push track slightly to the side to disengage.
- Remove track and door together.

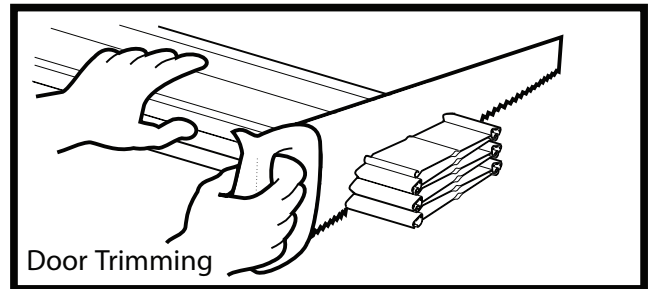
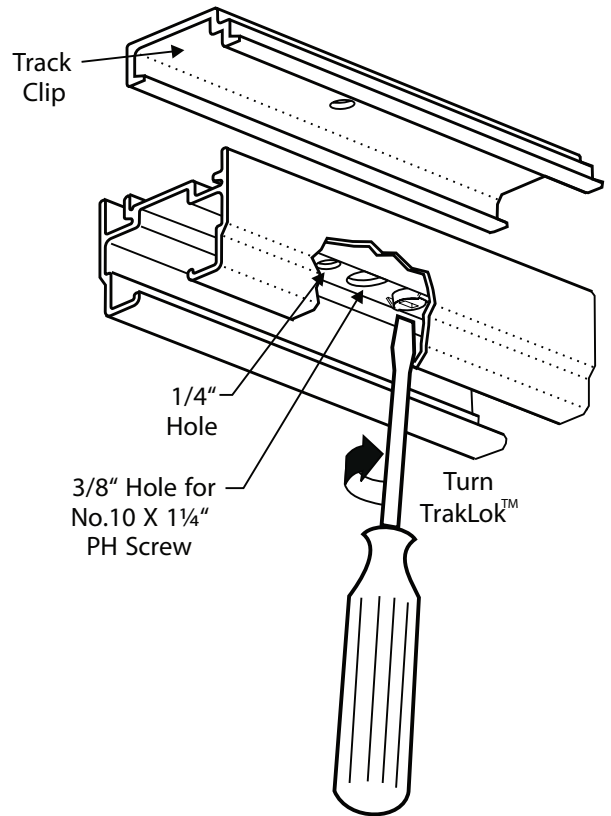
To reinstall door, reverse the procedure.

### SECTION 4 Door Trimming

If your CRITERION® door needs to be shortened lay door across sturdy support. Carefully cut door off at bottom to the required dimension using a fine-tooth saw. If the jamb mould is too long, trim excess from the bottom.

### SECTION 5 Care of Door

Your CRITERION® door may be cleaned with warm water and mild soap. Sponge surface and wipe dry with soft, clean cloth. Avoid harsh or abrasive chemicals as these may scratch the fine surface of your door.



**NEVER USE ANY GREASE OR OIL ON WHEELS OR TRACKS**

You may apply silicone spray to wheels and inside the track during installation. Periodic applications to ensure a smooth operation are recommended

LIMITED WARRANTY: Your Panelfold® door is covered by one (1) year limited warranty. Ask us for details.

FIRST CHOICE ACCORDION DOORS • Phone: 877-723-0209 • FAX: 503-723-0503  
Internet: [www.accordion-door.com](http://www.accordion-door.com) e-mail: [Sales@Accordion-Door.com](mailto:Sales@Accordion-Door.com)